



Wall Plate

- ◆ Perfect radian of the line, even more elegant appearance.
- ◆ All kinds of colors satisfy your requires, all the color matching with LUTRON.
- ◆ 1-6 gang screwless wallplates each paired with a dedicted subplate for fast and easy installation.

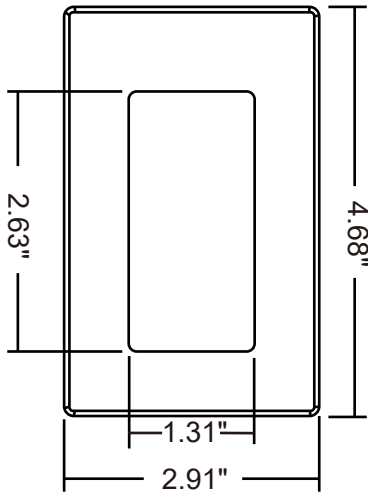


Ordering Information:

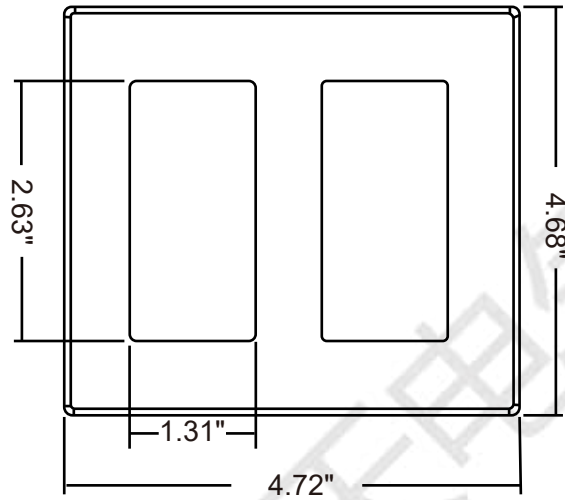
DESCRIPTION	SCREWLESS WALL PLATE	QTY/CTN
1-gang 	WSL-01	200pcs
2-gang 	WSL-02	200pcs
3-gang 	WSL-03	200pcs
4-gang 	WSL-04	200pcs
5-gang 	WSL-05	200pcs
6-gang 	WSL-06	200pcs



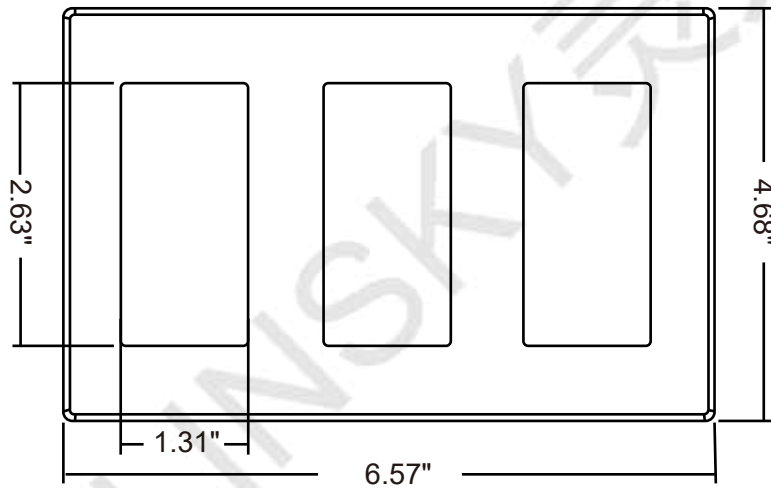
Dimensional Drawings:



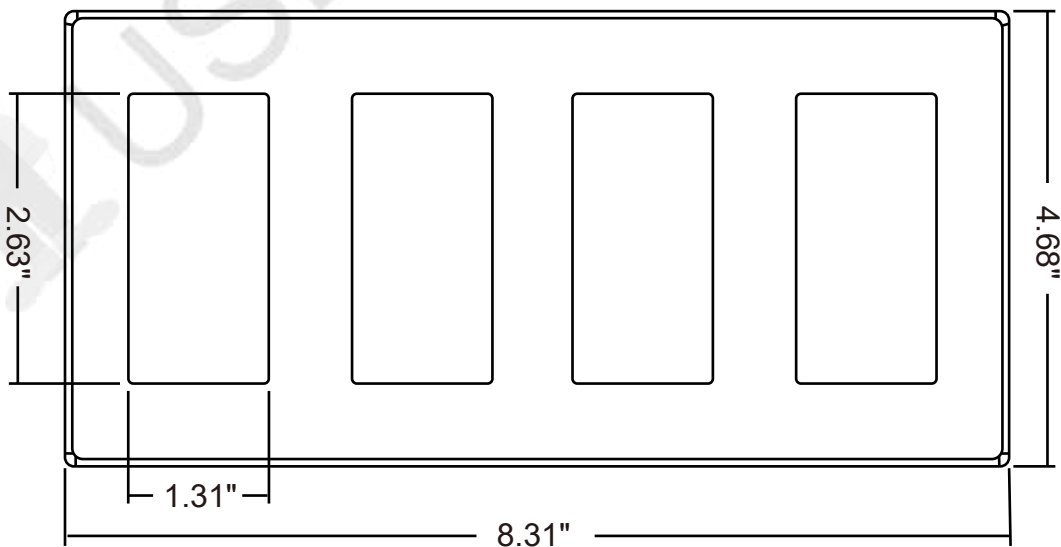
1-Gang Wallplate



2-Gang Wallplate



3-Gang Wallplate

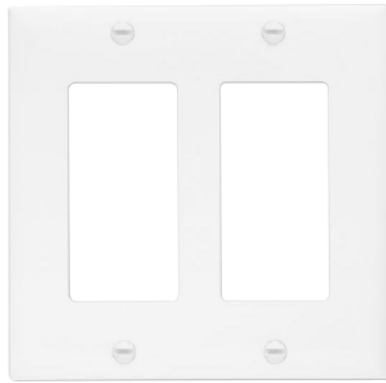


4-Gang Wallplate





WSR-01



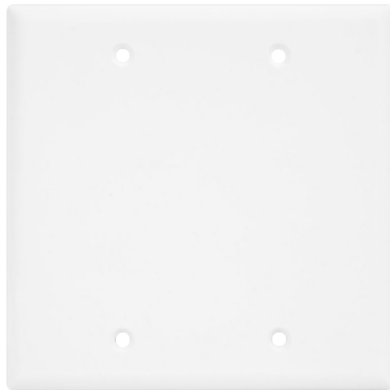
WDG-02



WTS-03



WT-01



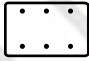



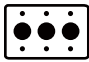
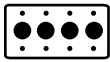


WB-02




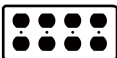


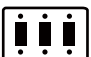












WDR-04

Ordering Information:

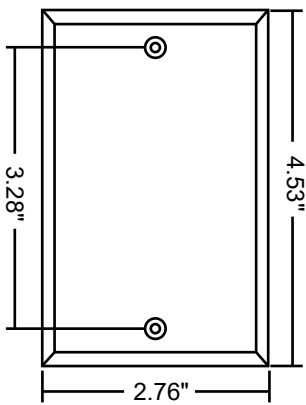
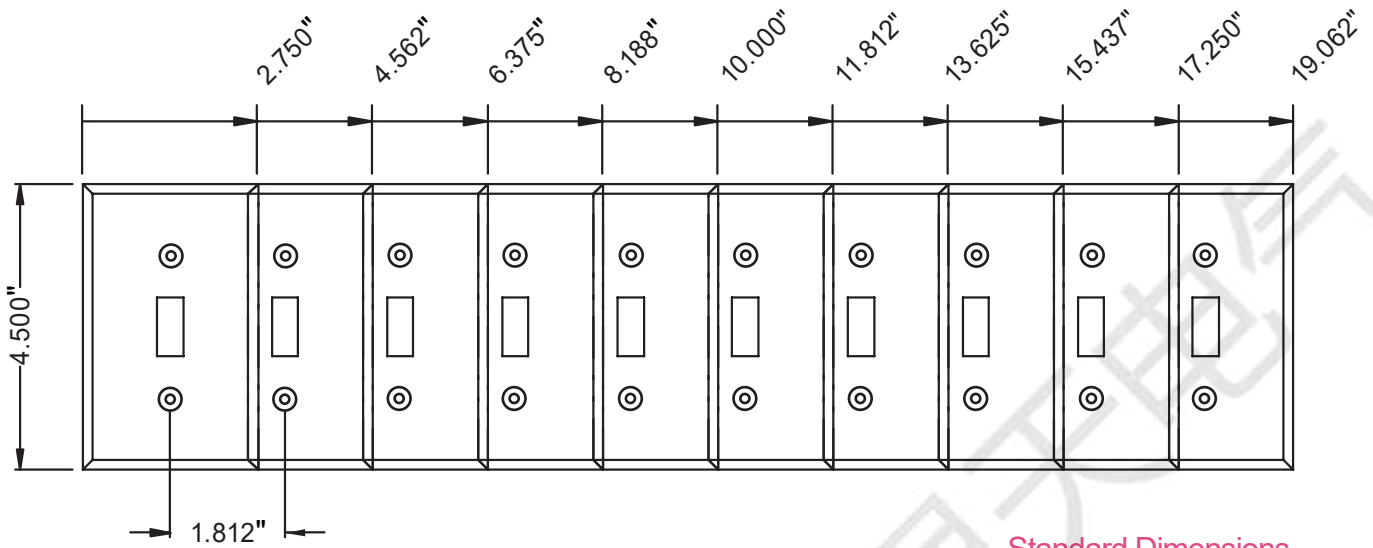
DESCRIPTION	PLASTIC WALL PLATE	QTY/CTN
Blank plastic wall panel		
1-gang 	WB-01	200pcs
2-gang 	WB-02	200pcs
3-gang 	WB-03	200pcs
4-gang 	WB-04	200pcs
Single socket wall panel		
1-gang 	WSR-01	200pcs
2-gang 	WSR-02	200pcs
3-gang 	WSR-03	200pcs
4-gang 	WSR-04	200pcs



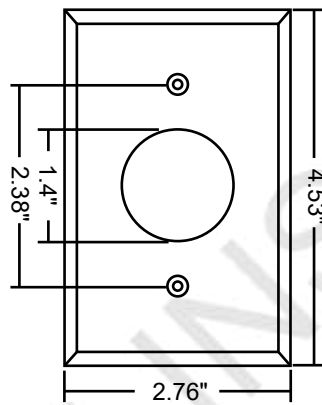
DESCRIPTION	PLASTIC WALL PLATE	QTY/CTN
Ordinary double socket wallplate		
1-gang 	WDR-01	200pcs
2-gang 	WDR-02	200pcs
3-gang 	WDR-03	200pcs
4-gang 	WDR-04	200pcs
Ordinary decorative switch wallplate		
1-gang 	WDG-01	200pcs
2-gang 	WDG-02	200pcs
3-gang 	WDG-03	200pcs
4-gang 	WDG-04	200pcs
Flip the switch wallplate		
1-gang 	WTS-01	200pcs
2-gang 	WTS-02	200pcs
3-gang 	WTS-03	200pcs
4-gang 	WTS-04	200pcs
Medium size decorative wallplate		
1-gang 	WMB-01	200pcs
1-gang 	WMG-01	200pcs
1-gang 	WMT-01	200pcs
1-gang 	WMD-01	200pcs
1-gang 	WT-11	200pcs



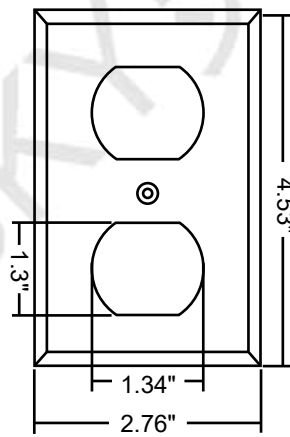
Dimensional Drawings:



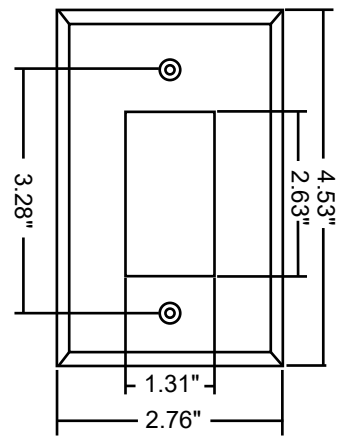
WB-01



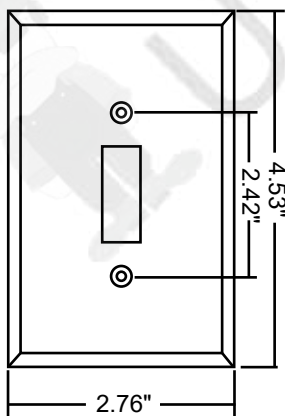
WSR-01



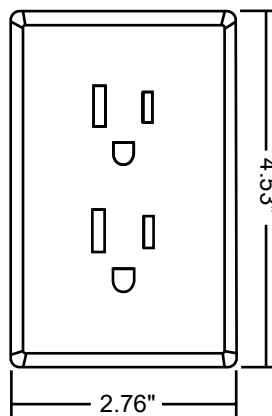
WDR-01



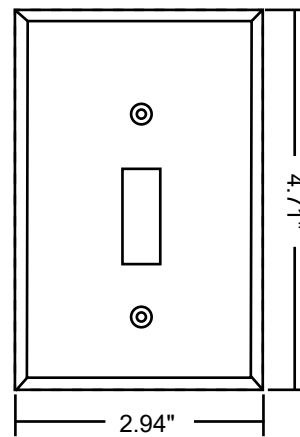
WDG-01



WTS-01



WT-11

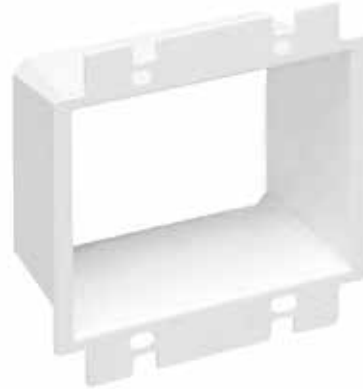


WMT-01





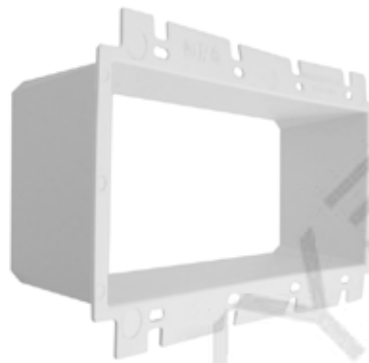
EXR-01



EXR-02



EXR-03



EXR-04



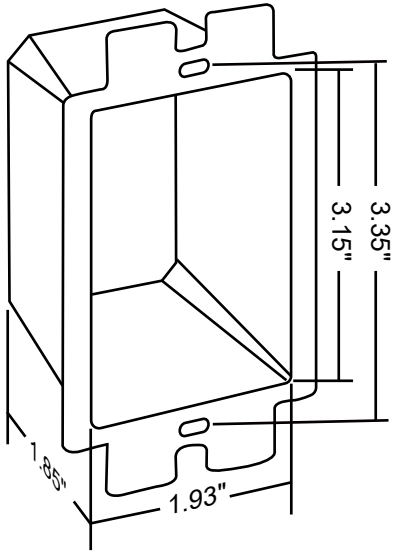
EXR-05

Ordering Information:

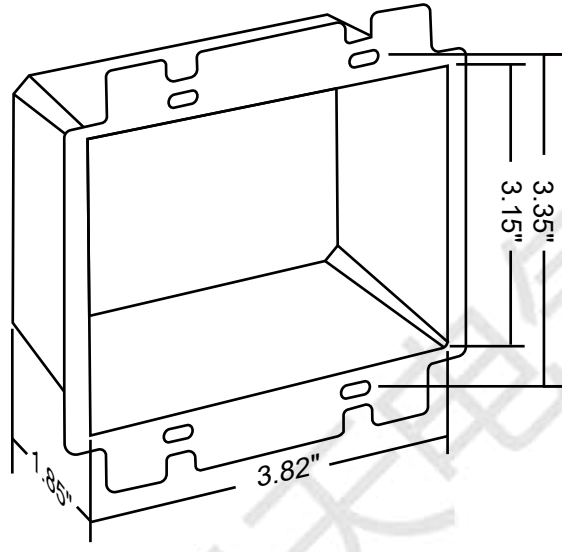
DESCRIPTION	OUTLET BOX EXTENDER	QTY/CTN
Single gang electrical outlet box extender	EXR-01	400pcs
Two gang electrical outlet box extender	EXR-02	200pcs
Three gang electrical outlet box extender	EXR-03	200pcs
Four gang electrical outlet box extender	EXR-04	100pcs
Ceiling box extender/Set back ceilings	EXR-05	200pcs



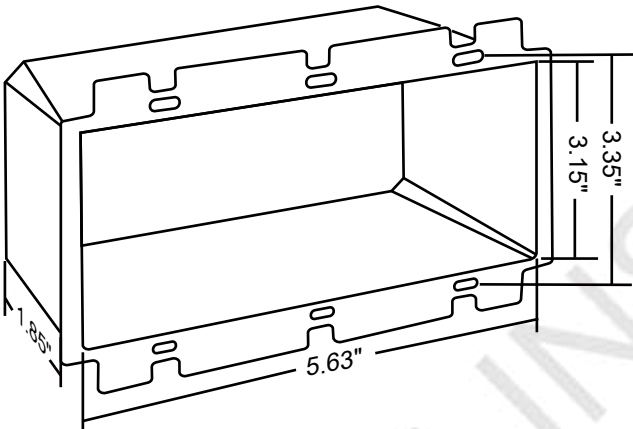
Dimensional Drawings:



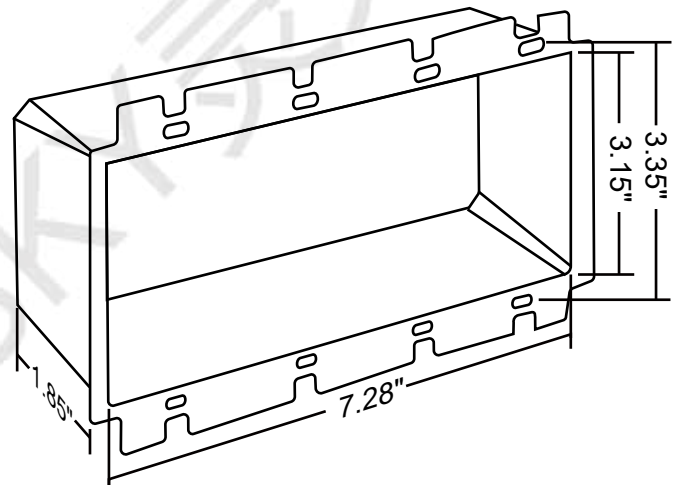
EXR-01



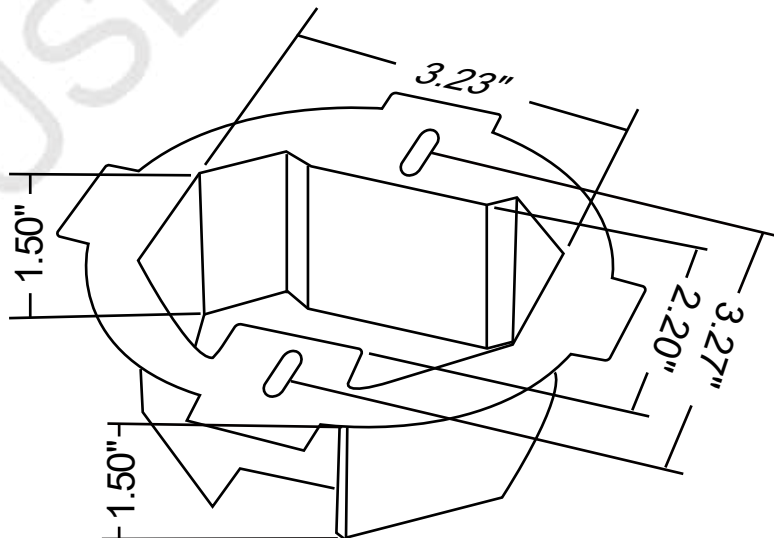
EXR-02



EXR-03



EXR-04



EXR-05





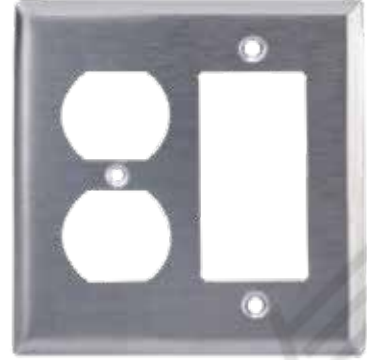
WTS-01R



WB-01SS



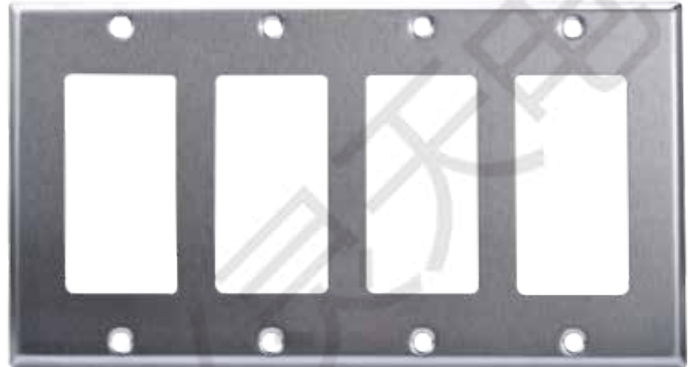
WDR-02SS



WDG-02SS

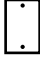
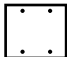








WTS-03SS




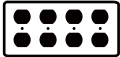






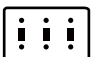






WDG-04SS

Ordering Information:

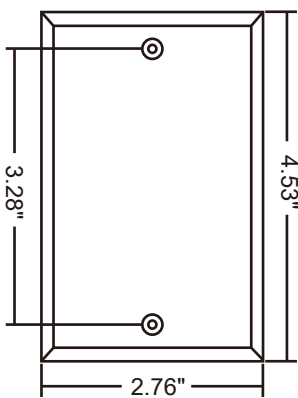
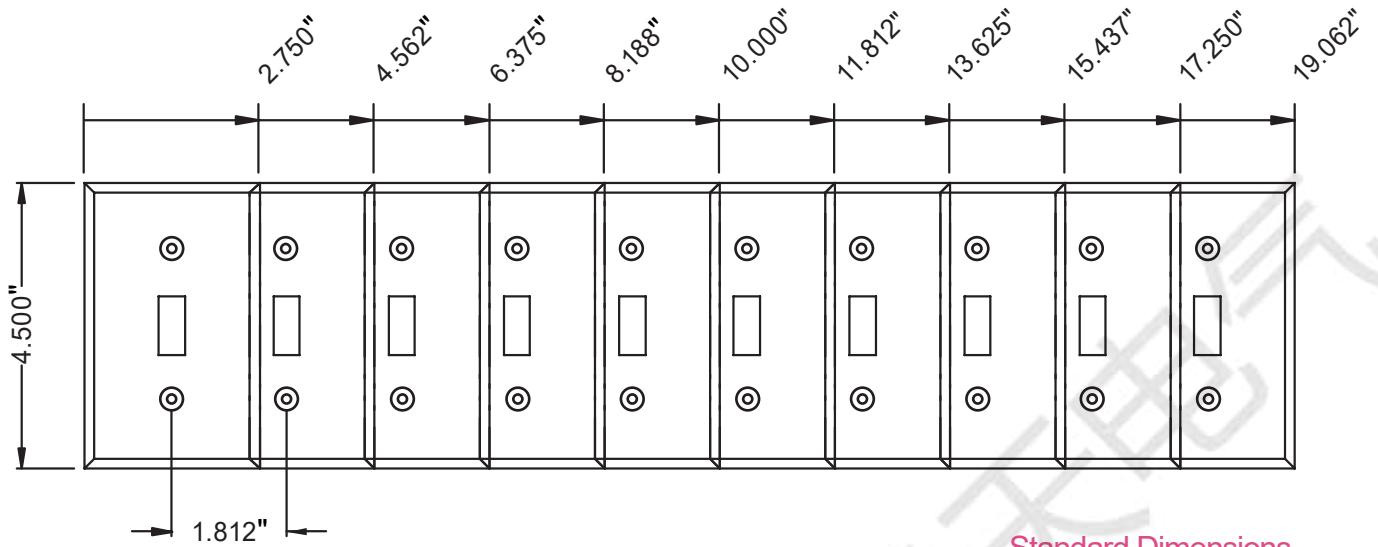
DESCRIPTION	STAINLESS STEEL TYPE 430	QTY/CTN
Blank stainless steel wall panel		
1-gang 	WB-01SS	300pcs
2-gang 	WB-02SS	200pcs
3-gang 	WB-03SS	100pcs
4-gang 	WB-04SS	100pcs
Single socket stainless steel wall panel		
1-gang 	WSR-01SS	300pcs
2-gang 	WSR-02SS	200pcs
3-gang 	WSR-03SS	100pcs
4-gang 	WSR-04SS	100pcs



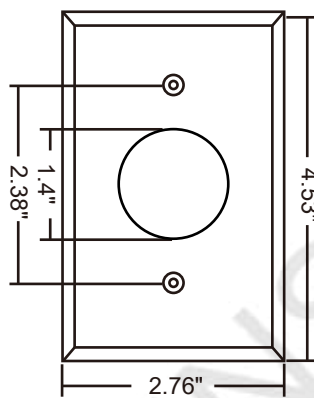
DESCRIPTION	PLASTIC WALL PLATE	QTY/CTN
Common double socket stainless steel wallplate		
1-gang 	WDR-01SS	300pcs
2-gang 	WDR-02SS	200pcs
3-gang 	WDR-03SS	100pcs
4-gang 	WDR-04SS	100pcs
Ordinary decorative switch stainless steel wallplate		
1-gang 	WDG-01SS	300pcs
2-gang 	WDG-02SS	200pcs
3-gang 	WDG-03SS	100pcs
4-gang 	WDG-04SS	100pcs
Switch the stainless steel wallplate		
1-gang 	WTS-01SS	300pcs
2-gang 	WTS-02SS	200pcs
3-gang 	WTS-03SS	100pcs
4-gang 	WTS-04SS	100pcs
Combination stainless steel wallplate		
1-gang 	WDT-02SS	200pcs
1-gang 	WDG-02SS	200pcs
Stainless steel fire wallplate		
1-gang 	WTS-01R	300pcs



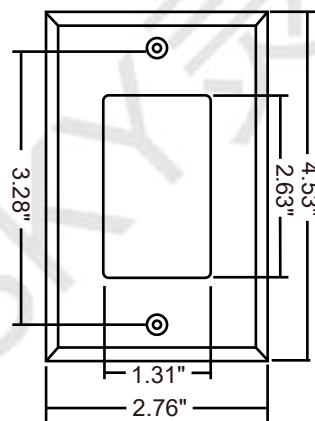
Dimensional Drawings:



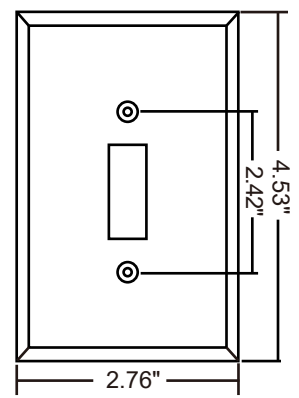
WB-01SS



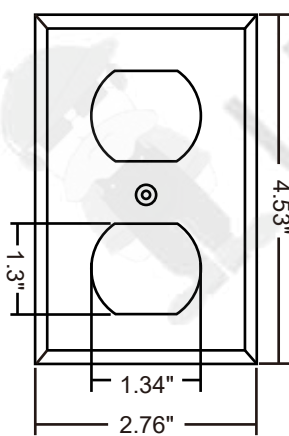
WSR-01SS



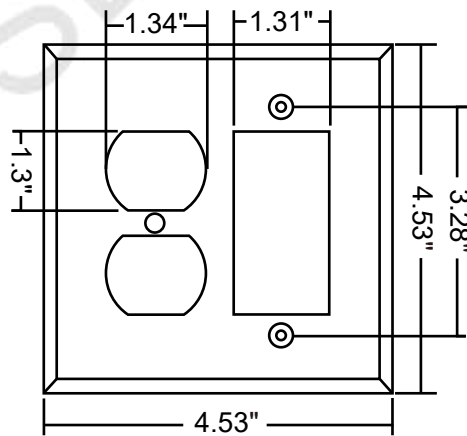
WDG-01SS



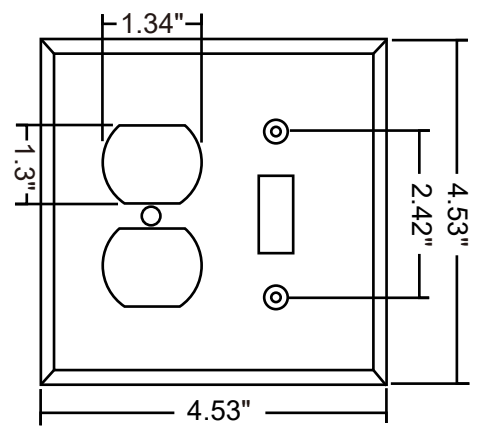
WTS-01SS



WDR-01SS



WDT-02SS



WDG-02SS



This authorizes the application of the Certification Mark(s) shown below to the models described in the Product(s) Covered section when made in accordance with the conditions set forth in the Certification Agreement and Listing Report. This authorization also applies to multiple listee model(s) identified on the correlation page of the Listing Report.

This document is the property of Intertek Testing Services and is not transferable. The certification mark(s) may be applied only at the location of the Party Authorized To Apply Mark.

Applicant: Shanghai Linsky Electrical Co., Ltd.	Manufacturer: Shanghai Linsky Electrical Co., Ltd.
Address: No. 14 Lane 1515 Yuandong Road, Fengxian District Shanghai City	Address: No. 14 Lane 1515 Yuandong Road, Fengxian District Shanghai City
Country: China	Country: China
Contact: Mr. Huanhe Zheng	Contact: Mr. Huanhe Zheng
Phone: 86-18017201925	Phone: 86-18017201925
FAX: -	FAX: -
Email: sales@linsky.cn	Email: sales@linsky.cn

Party Authorized To Apply Mark: Same as Manufacturer
Report Issuing Office: Intertek Testing Services Shanghai Limited

Control Number: 5010519 **Authorized by:** _____
for L. Matthew Snyder, Certification Manager



This document supersedes all previous Authorizations to Mark for the noted Report Number.

This Authorization to Mark is for the exclusive use of Intertek's Client and is provided pursuant to the Certification agreement between Intertek and its Client. Intertek's responsibility and liability are limited to the terms and conditions of the agreement. Intertek assumes no liability to any party, other than to the Client in accordance with the agreement, for any loss, expense or damage occasioned by the use of this Authorization to Mark. Only the Client is authorized to permit copying or distribution of this Authorization to Mark and then only in its entirety. Use of Intertek's Certification mark is restricted to the conditions laid out in the agreement and in this Authorization to Mark. Any further use of the Intertek name for the sale or advertisement of the tested material, product or service must first be approved in writing by Intertek. Initial Factory Assessments and Follow up Services are for the purpose of assuring appropriate usage of the Certification mark in accordance with the agreement, they are not for the purposes of production quality control and do not relieve the Client of their obligations in this respect.

Intertek Testing Services NA Inc.
545 East Algonquin Road, Arlington Heights, IL 60005
Telephone 800-345-3851 or 847-439-5667 Fax 312-283-1672

Standard(s):	Cover Plates For Flush-Mounted Wiring Devices [UL 514D:2013 Ed.2+R:04Mar2016] Cover Plates For Flush-Mounted Wiring Devices [CSA C22.2#42.1:2013 Ed.2+G1]
Product:	Cover plate
Brand Name:	USLINSKY

Models:

WB-01, WB-02, WB-03, WB-04, WB-05, WB-06, WSR-01, WSR-02, WSR-03, WSR-04, WSR-05, WSR-06, WDR-01, WDR-02, WDR-03, WDR-04, WDR-05, WDR-06, WDG-01, WDG-02, WDG-03, WDG-04, WDG-05, WDG-06, WDG-01M, WDG-02M, WDG-03M, WDG-04M, WDG-05M, WDG-06M, WDG-01L, WDG-02L, WDG-03L, WDG-04L, WDG-05L, WDG-06L, CZX-01, CZX-02, WTS-01, WTS-02, WTS-03, WTS-04, WTS-05, WTS-06, WMX-TD, WMX-TG, WMX-DG, WMX-BT, WMX-BD, WMX-BG, WMX-DS, WMX-GS, WSL-01, WSL-02, WSL-03, WSL-04, WSL-05, WSL-06, WMB-01, WMG-01, WMT-01, WMD-01, WMS-01, WT-11, LTSC-01, LTSC-02, Staco90-069, WB-01SS, WB-02SS, WB-03SS, WB-04SS, WB-05SS, WB-06SS, WSR-01SS, WSR-02SS, WSR-03SS, WSR-04SS, WSR-05SS, WSR-06SS, WDR-01SS, WDR-02SS, WDR-03SS, WDR-04SS, WDR-05SS, WDR-06SS, WDG-01SS, WDG-02SS, WDG-03SS, WDG-04SS, WDG-05SS, WDG-06SS, WTS-01SS, WTS-02SS, WTS-03SS, WTS-04SS, WTS-05SS, WTS-06SS, WMX-TDSS, WMX-TGSS, WMX-DGSS, WMX-BTSS, WMX-BDSS, WMX-BGSS, WMX-DSSS, WMX-GSSS

This authorizes the application of the Certification Mark(s) shown below to the models described in the Product(s) Covered section when made in accordance with the conditions set forth in the Certification Agreement and Listing Report. This authorization also applies to multiple listee model(s) identified on the correlation page of the Listing Report.

This document is the property of Intertek Testing Services and is not transferable. The certification mark(s) may be applied only at the location of the Party Authorized To Apply Mark.

Applicant:	Shanghai Linsky Electrical Co., Ltd.	Manufacturer:	Shanghai Linsky Electrical Co., Ltd.
Address:	No. 14 Lane 1515 Yuandong Road, Fengxian District Shanghai City	Address:	No. 14 Lane 1515 Yuandong Road, Fengxian District Shanghai City
Country:	China	Country:	China
Contact:	Mr. Huanhe Zheng	Contact:	Mr. Huanhe Zheng
Phone:	18017201925	Phone:	18017201925
FAX:	-	FAX:	-
Email:	sales@linsky.cn	Email:	sales@linsky.cn

Party Authorized To Apply Mark: Same as Manufacturer
Report Issuing Office: Intertek Testing Services Shanghai

Control Number: 5010519

Authorized by: _____

for L. Matthew Snyder, Certification Manager



Intertek


This document supersedes all previous Authorizations to Mark for the noted Report Number.

This Authorization to Mark is for the exclusive use of Intertek's Client and is provided pursuant to the Certification agreement between Intertek and its Client. Intertek's responsibility and liability are limited to the terms and conditions of the agreement. Intertek assumes no liability to any party, other than to the Client in accordance with the agreement, for any loss, expense or damage occasioned by the use of this Authorization to Mark. Only the Client is authorized to permit copying or distribution of this Authorization to Mark and then only in its entirety. Use of Intertek's Certification mark is restricted to the conditions laid out in the agreement and in this Authorization to Mark. Any further use of the Intertek name for the sale or advertisement of the tested material, product or service must first be approved in writing by Intertek. Initial Factory Assessments and Follow up Services are for the purpose of assuring appropriate usage of the Certification mark in accordance with the agreement, they are not for the purposes of production quality control and do not relieve the Client of their obligations in this respect.

Intertek Testing Services NA Inc.
545 East Algonquin Road, Arlington Heights, IL 60005
Telephone 800-345-3851 or 847-439-5667 Fax 312-283-1672


Standard(s):	Non-Metallic Outlet Boxes, Flush-Device Boxes, And Covers [UL 514C:2014 Ed.4+R:10 Dec2014] Nonmetallic Outlet Boxes (R2016) [CSA C22.2#18.2:2006 Ed.1+U1]
Product:	Extension ring
Brand Name:	USLINSKY, ELECTRIMART
Models:	EXR-1, EXR-2, EXR-3, EXR-4, EXR-5

SHANGHAI LINSKY ELECTRICAL CO.,LTD

 +86-21-67107908

 sales@linsky.cn

 www.linsky.cn

 Office Add: Room 1002, 2# Building, Phoenix Creativity Valley,
1588# Huhang Highway, Fengxian District, Shanghai, China.
Factory Add: No. 15, Lane 1515, Yuandong Road, Fengxian
District, Shanghai, China.